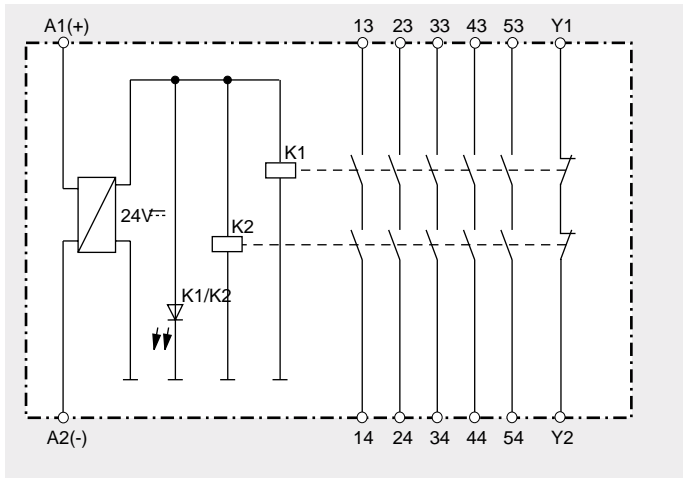
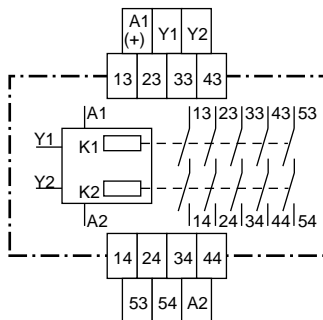


- According to the EU directive for machines 98/37/EG
- According to IEC 204-1, EN 60204-1, DIN VDE 0113-1
- Safety category 4 according to DIN EN 954-1
- Redundant and positively-driven contacts
- Output: 5 NO contacts
- 1-channel connection
- LED indication for operation
- Feedback circuit Y1 - Y2
- Removeable terminal strips
- Wire connection: also 2 x 1,5 mm² stranded ferruled (isolated), DIN 46 228-4 or 2 x 2,5 mm² stranded ferruled DIN 46 228-1/-2/-3
- Width 22,5 mm

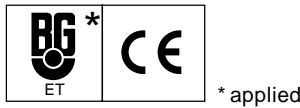
Block diagram



Circuit diagrams



Approvals and marking



Applications

Contact multiplication of emergency-stop modules and safety door monitors.

Indication

LED K1/K2: on, when operating voltage applied

Technical data

Input

Nominal voltage U_N : AC/DC 24 V
Voltage range: AC 0,8 ... 1,1 U_N
 at 10% residual ripple: DC 0,9 ... 1,1 U_N
 at 48% residual ripple: DC 0,8 ... 1,1 U_N

Nominal consumption

AC 24 V: 2,1 VA
 DC 24 V: 1,5 W
Nominal frequency: 50 / 60 Hz

Control current:

AC 24 V: 60 mA
 DC 24 V: 65 mA

Output

Contacts 5 NO contacts,
 1 NC contact as feedback contact

Operate time:

max. 20 ms

Release time:

max. 35 ms

Contact type:

relay, positively-driven

Nominal output voltage:

AC 250 V

Feedback contact of

BG 5929.54 and BG 5929.60: AC/DC 150 V

Thermal current I_{th} :

see total current limit curve
 max. 5 A / 7 A**

** device mounted on distance with
 air circulation

BG 5929.54:

max. 5 A (terminal 51/52)

BG 5929.60:

max. 5 A (terminal 53/54)

Switching capacity

to AC 15:

3 A / AC 250 V

for NO contact

2 A / AC 250 V

for NC contact

EN 60 947-5-1

EN 60 947-5-1

Electrical life

to AC 15 at 2 A, AC 230 V:

10⁵ switching cycles

EN 60 947-5-1

Permissible switching capacity:

600 switching cycles / h

Technical data

Short circuit strength		EN 60 947-5-1
max. fuse rating:	4 A gL	
max. line circuit breaker:	C8A	
Mechanical life:	10 x 10 ⁶ switching cycles	

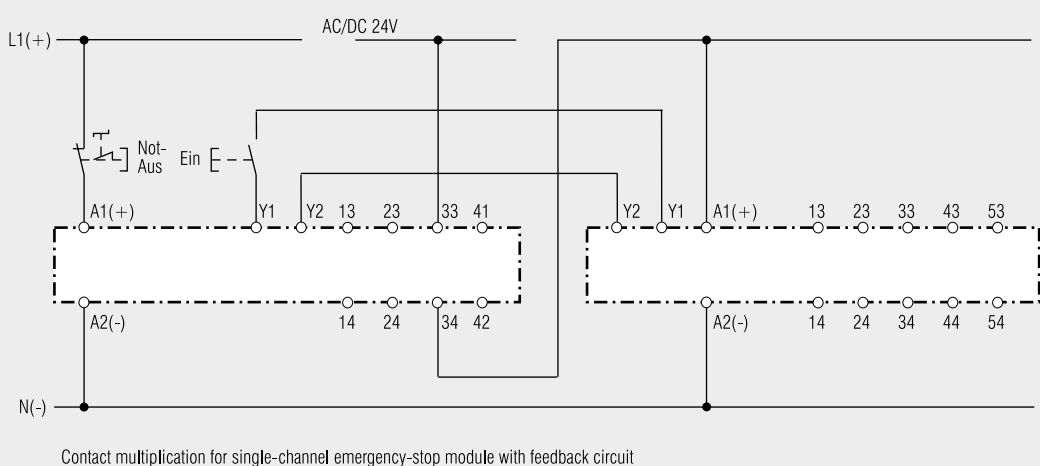
General data

Operating mode:	Continuous operation	
Temperature range:	- 15 ... + 55 °C	
Clearance and creepage distances		
overvoltage category / contamination level:	4 kV / 2	DIN VDE 0110-1 (04.97)
EMC		
Electrostatic discharge:	8 kV (air)	EN 61 000-4-2
HF-irradiation:	10 V / m	EN 61 000-4-3
Fast transients:	4 kV	EN 61 000-4-4
Surge voltages between		
wires for power supply:	1 kV	EN 61 000-4-5
between wire and ground:	4 kV	EN 61 000-4-5
HF-wire guided:	10 V	EN 61 000-4-6
Interference suppression:	Limit value class B	EN 55 011
Degree of protection:	Housing: IP 40	EN 60 529
	Terminals: IP 20	EN 60 529
Housing:	Thermoplast with V0 behaviour according to UL subject 94	
Vibration resistance:	Amplitude 0,35 mm	EN 60 068-2-6
	frequency 10 ... 55 Hz	
Climate resistance:	15 / 055 / 04	EN 60 068-1
Terminal designation:	EN 50 005	
Wire connection:	1 x 4 mm ² solid or 1 x 2,5 mm ² stranded ferruled (isolated) or 2 x 1,5 mm ² stranded ferruled (isolated) DIN 46 228-1/-2/-3/-4 or 2 x 2,5 mm ² stranded ferruled DIN 46 228-1/-2/-3	
Wire fixing:	terminal screws M 3,5 box terminal with wire protection	
Mounting:	DIN rail	EN 50 022
Weight:	180 g	

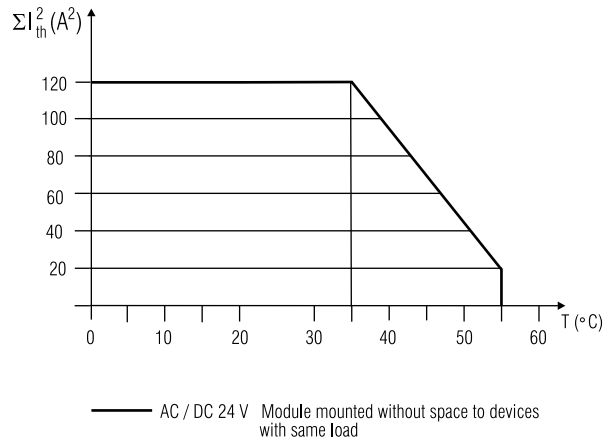
Dimensions

Width x height x depth: 22,5 x 84 x 121 mm

Application example



Characteristics



Total current limit curve