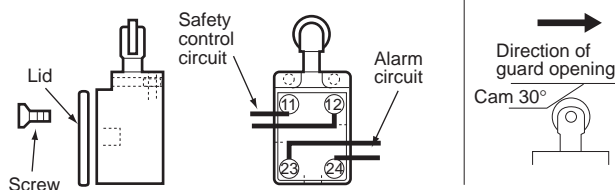
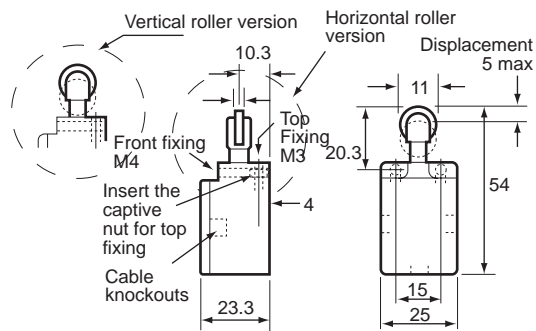


Guardmaster[®] IMP



1. Fix switch to fixed portion of guard. M4 front fixings. For top fixing insert captive nuts supplied and use M3 fixings.
2. The roller should be actuated by a cam with a 30° leading profile. The roller should be depressed by the cam at all guard positions other than fully closed. A stop should be fitted if necessary.

Contact rating : 250Vac/2A 100Vac/5A.
 Operating temp. : -25°C to 80°C.
 Operating life : 10 x 10⁶
 Protection : IP30.
 Case : Glass filled polyester UL approved.
 Roller : Stainless steel.

Drg No 18522/0

mm	0	1	3	4	5
11 - 12					
23 - 24					
mm	0	1	2.5	5	
N	2.7	3.8	5.4	8.1	

Contact movement in relation to roller plunger displacement & operating force.



Allen-Bradley

Guardmaster[®]